

OIP-D50C Quick Start Guide

www.MyLumens.com

Lumens[®]

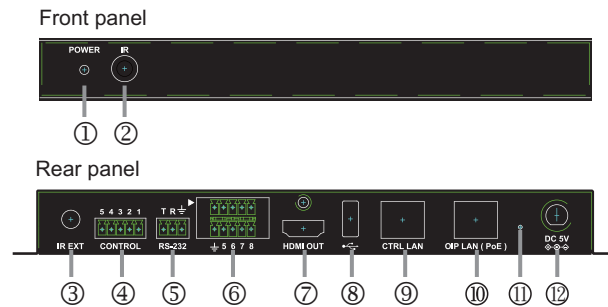
⚠ Important

*Please activate your warranty:www.MyLumens.com/reg.

*To download the updated software, multilingual manuals, and Quick Start Guide, please visit Lumens[™] website at: <https://www.MyLumens.com/support>.

1. Product Introduction

1.1 Product Overview

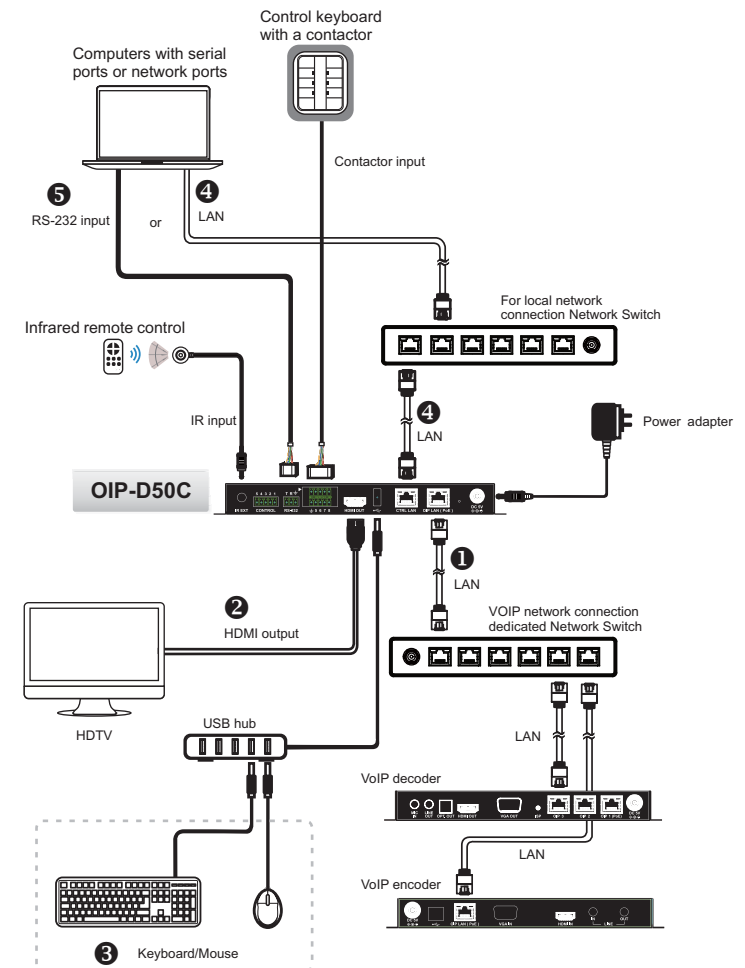


- ① Power indicator
- ② IR receive window
- ③ IR input
- ④ RS-232/RS-422/RS-485 output
- ⑤ RS-232 input
- ⑥ Contactor input
- ⑦ HDMI output
- ⑧ USB port
- ⑨ CTRL network port
- ⑩ OIP network port (PoE)
- ⑪ Reset-to-default button
- ⑫ Power connector

2. Installation and Connections

This product needs to be equipped with a decoder and encoder at the same time. After the decoder and encoder are connected, connecting to this product can manage multiple decoders and encoders through the WebGUI control page.

- ① Connect the network switch of the same network as the decoder and encoder receiver to the OIP network port, so that all OIP devices are in the same local area network.
 - ② Connecting to an HDMI display can check the machine status message and access the WebGUI control page without computer.
 - ③ Connect to USB keyboard and mouse.
- After completing the above steps, you can use the keyboard and mouse to operate the WebGUI control page for operations and settings. You can also follow the steps below to control this product through computer:
- ④ Connect the CTRL network port to the network switch of the same network as the computer, so that the D50C controller and the computer are in the same local area network. Enter the IP address of the controller in the web browser to operate and control the product on the web page.
 - ⑤ Use a 3-pin terminal block to DE-9 terminal cable to connect to a desktop, notebook, or other serial control devices, to perform operation through RS-232.



3. Suggestions for the Switch Setting

VoIP transmission will consume a lot of bandwidth (especially at higher resolutions), and it needs to be paired with a Gigabit network switch that supports Jumbo Frame and IGMP (Internet Group Management Protocol) Snooping. It is strongly recommended to be equipped with a switch which includes VLAN (Virtual Local Area Network) professional network management.

1. Please set Port Frame Size (Jumbo Frame) to 8000.
2. Please set IGMP Snooping and relevant settings (Port, VLAN, Fast Leave, Querier) to "Enable".