

DC190 Quick Start Guide

⚠ Important

* Please activate your warranty at www.lumens.com.tw/reg

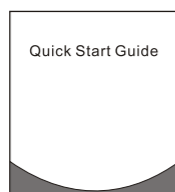
* Please visit our website www.lumens.com.tw/goto.htm to download latest version of Software, Multilingual User Manual and Quick Start Guide.

1. Package Contents

DC190



Quick Start Guide



* To download this manual in other languages, visit Lumens website

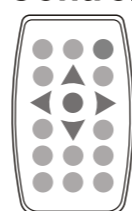
Download & Safety Instruction



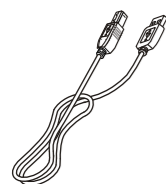
4-Step Card



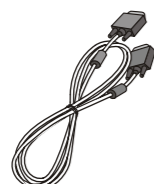
Remote Control



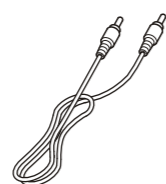
USB Cable



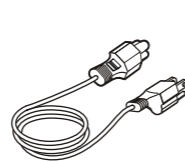
VGA Cable



Audio Cable

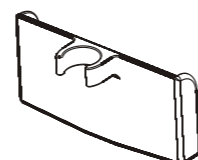


Power Cord

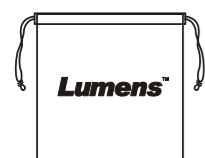


* Appearance may vary in different countries

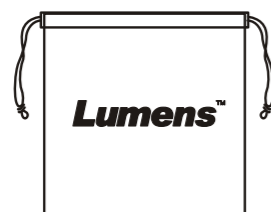
Remote Control Holder



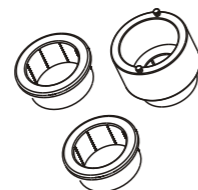
Accessory Pouch



Pouch

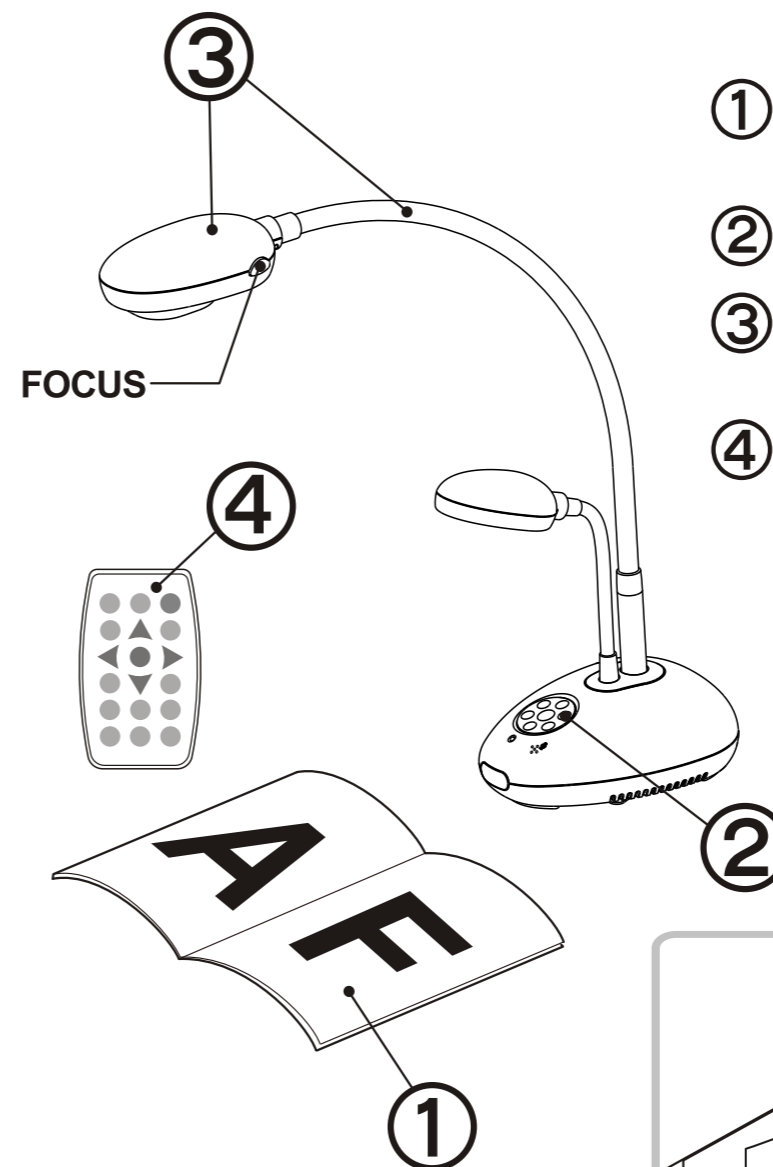


Microscope Adapter



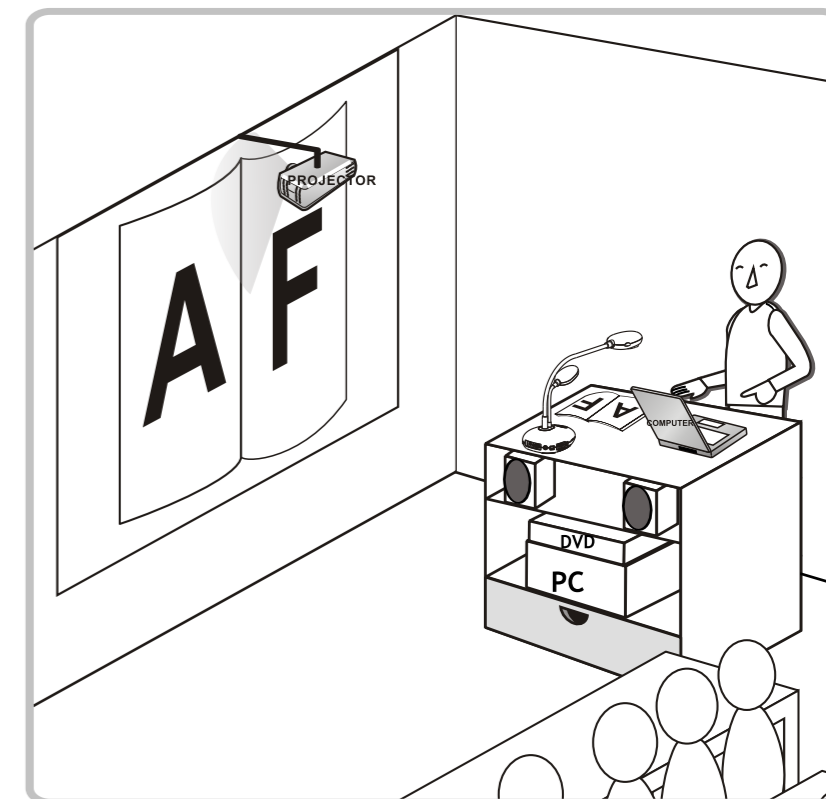
⚠ The package contents are subject to change without notice.

2. Getting Started



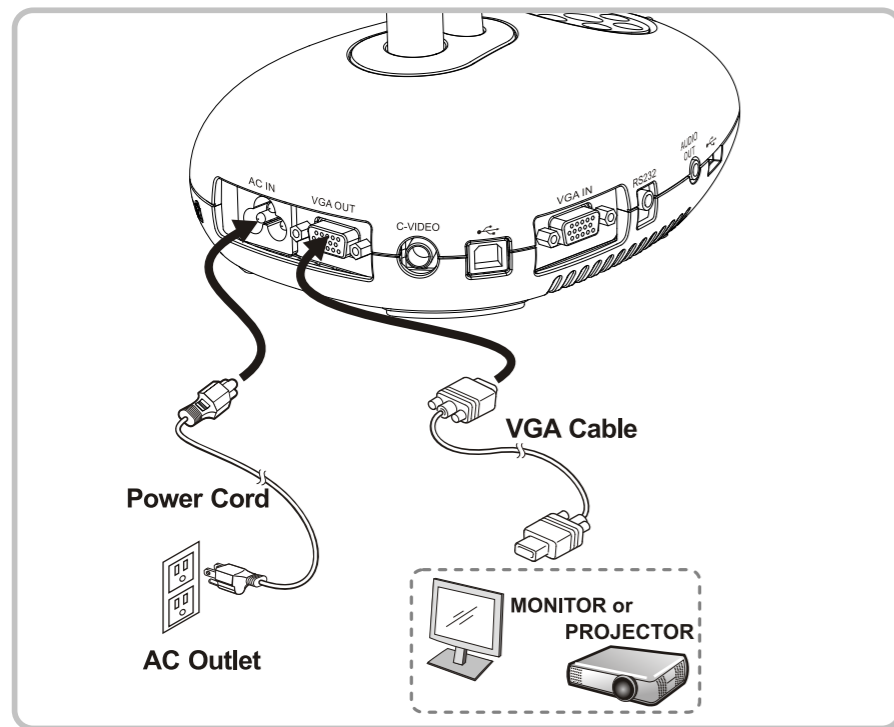
- ① Place an object to be displayed under the camera.
- ② Turn the power on.
- ③ Adjust the gooseneck and lens to appropriate position.
- ④ Press the [AUTO TUNE] button to optimize the image. You are ready to teach / present.

* Each time the camera head is moved, press the [FOCUS] button to refocus the lens.

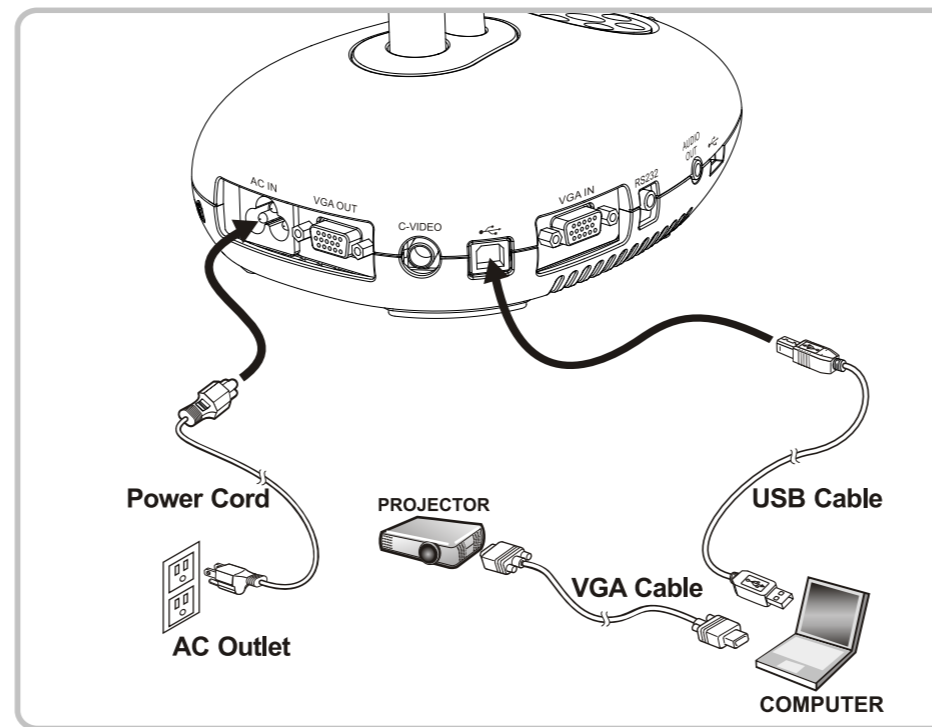


3. Installation & Connection

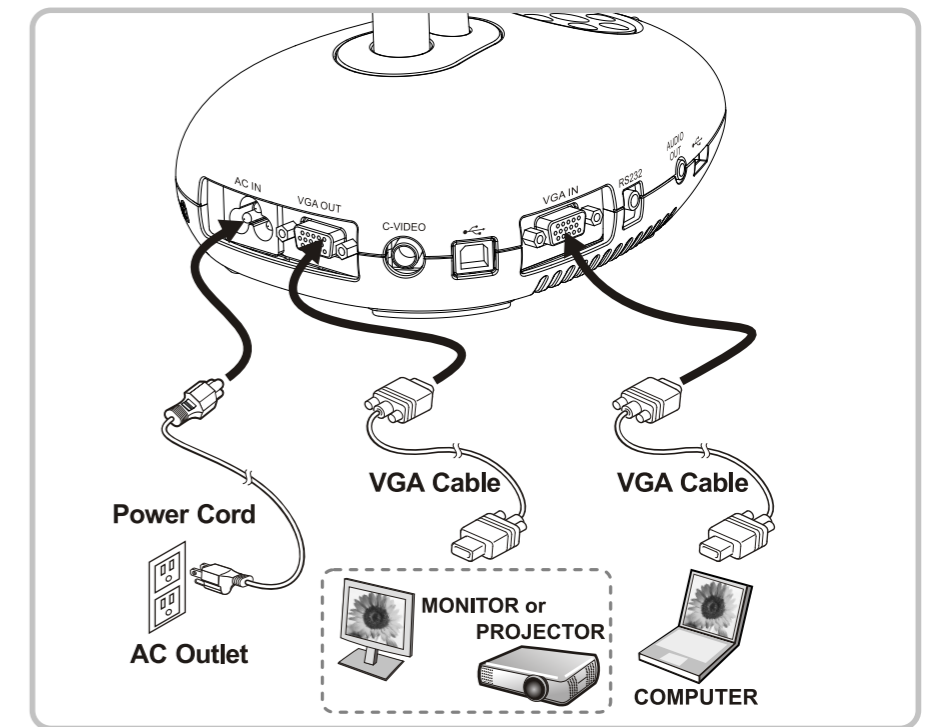
▼ Connect to a Projector or Monitor



▼ Connect to a Computer and Use Ladibug™ Software.



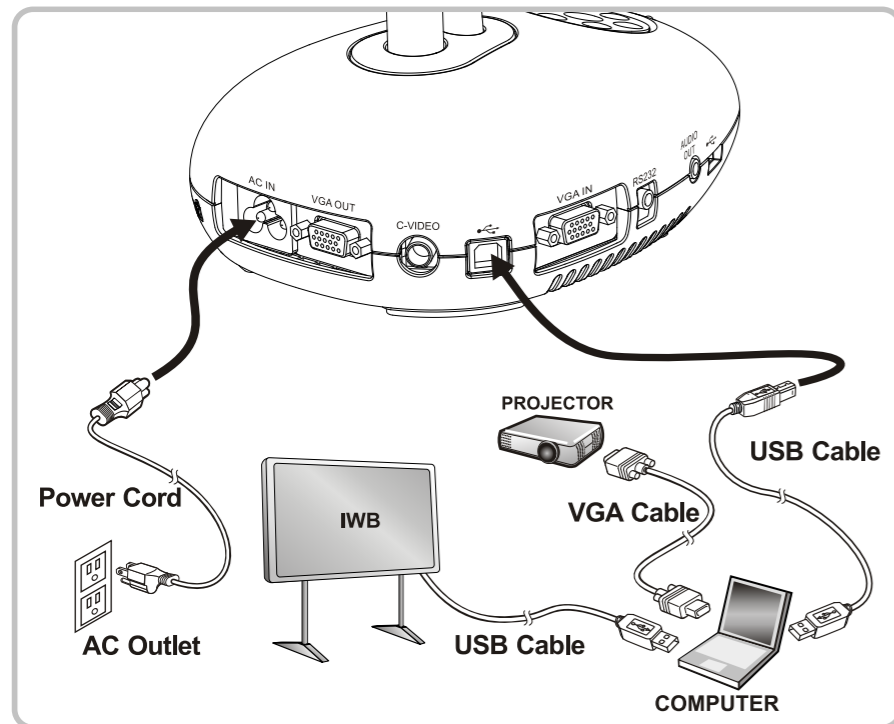
▼ Connect a Computer, Projector or Monitor simultaneously



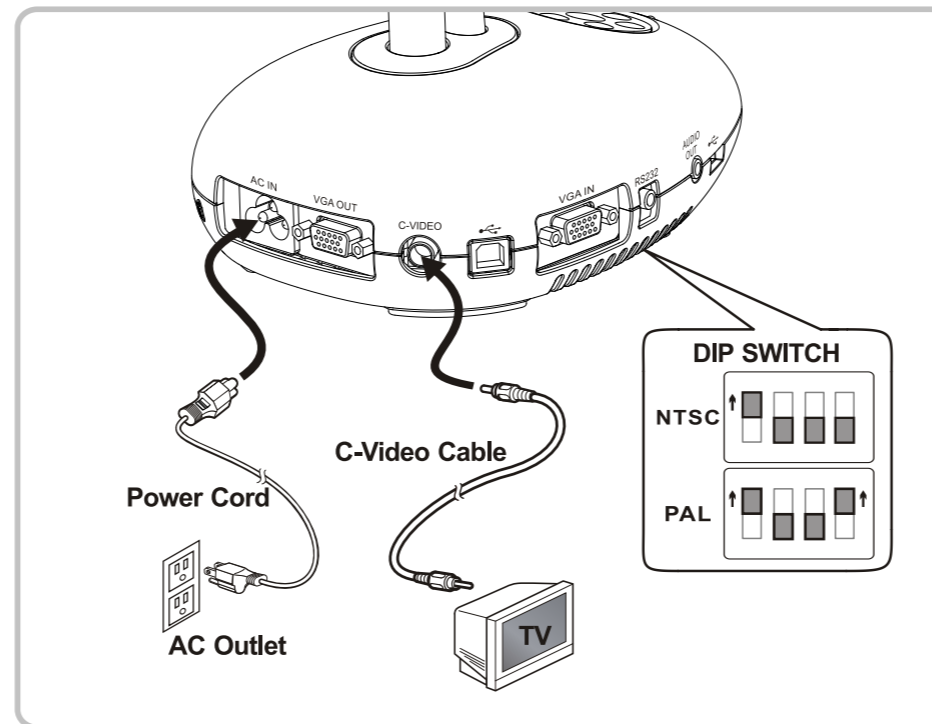
* Driver and software can be downloaded from Lumens website.

* Press [SOURCE] button to switch the image source.

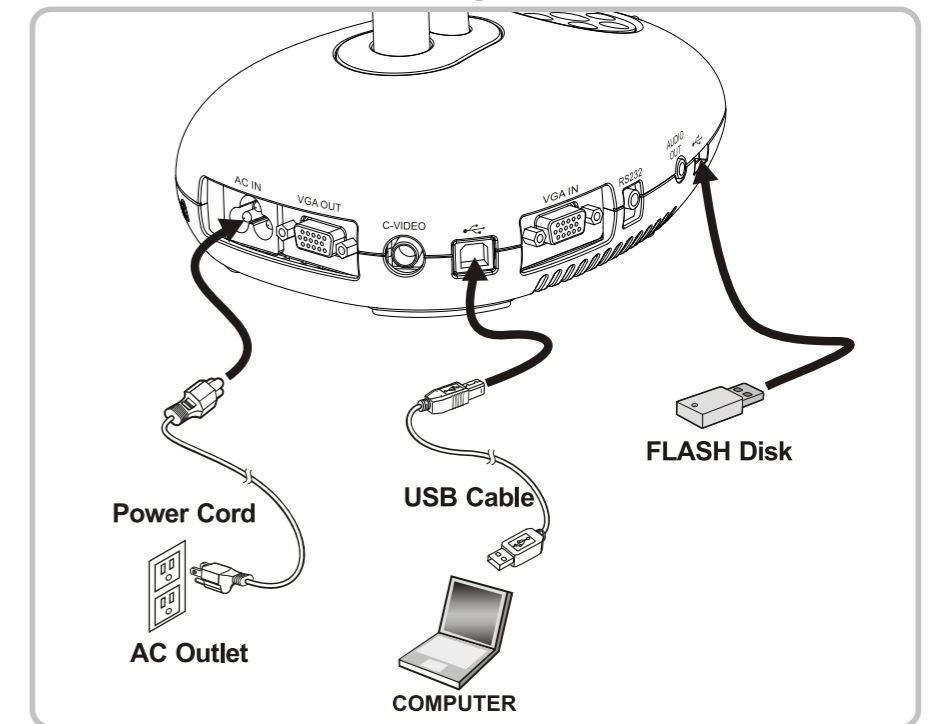
▼ Connect to an Interactive Whiteboard (IWB)



▼ Connect to a TV



▼ Connect to a Computer and Flash Disk



* NTSC: USA, CANADA, MEXICO, PANAMA, CHILE, JAPAN, TAIWAN, KOREA AND PHILIPPINES.

* PAL: Country / region not listed above.

* To make DIP switch set up effectiveness, please re-plug the power cord and reboot the machine. Once C-Video is on, VGA is not supported.