

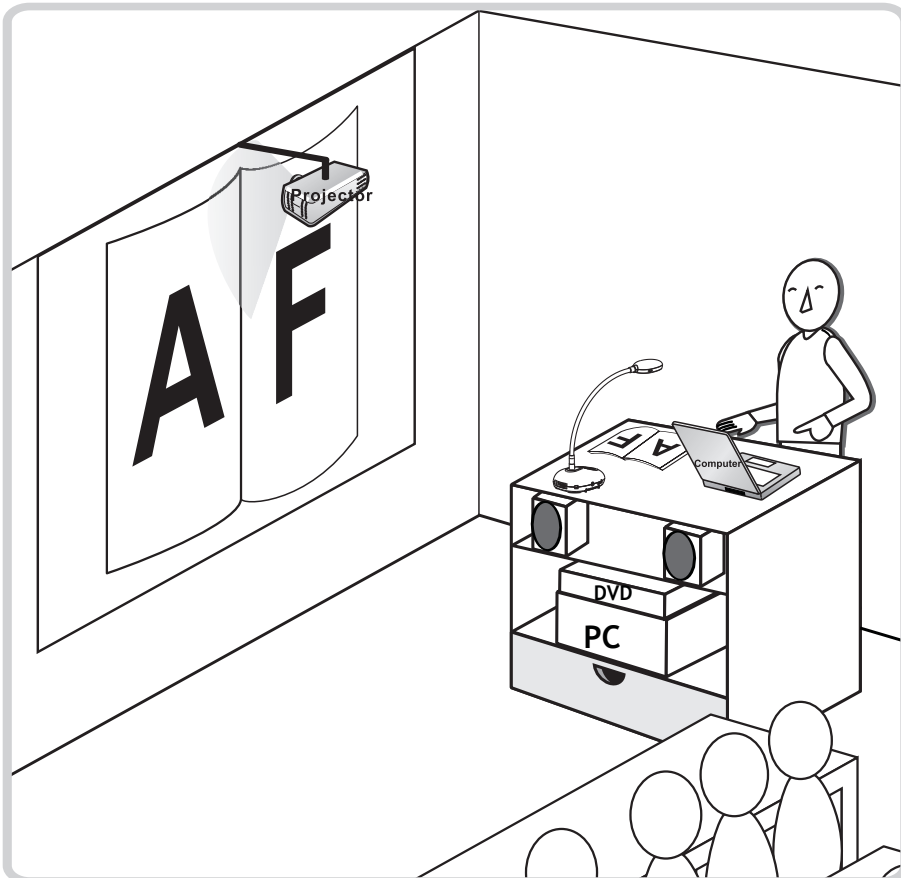
DC145 Quick Start Guide

⚠ Important

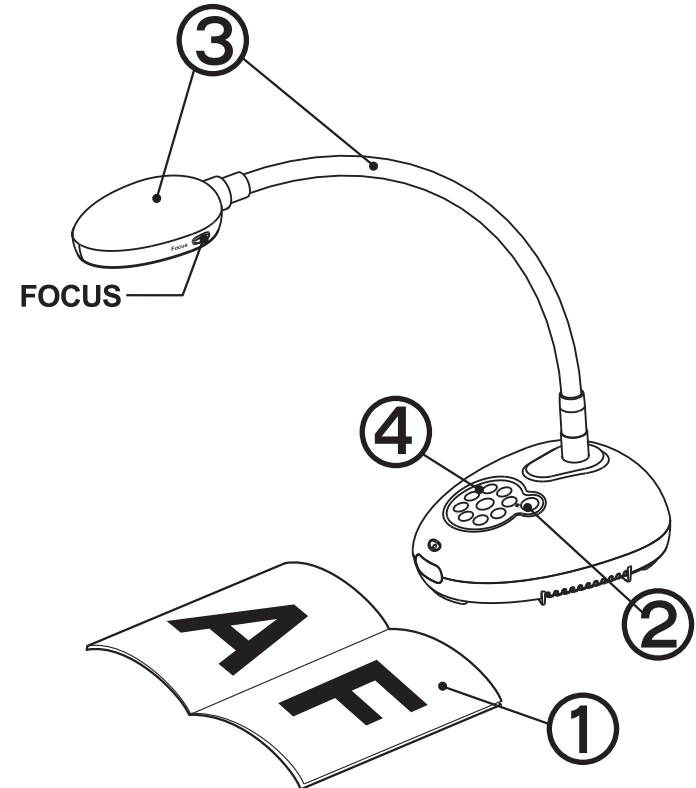
- * Please activate your warranty at www.MyLumens.com/reg
- * Please visit our website www.MyLumens.com/goto.htm to download latest version of Software, Multilingual User Manual and Quick Start Guide.

User Condition

- * For the installation instruction, please refer to the [2. Installation & Connectoin](#) on the rear side.



1. Getting Started

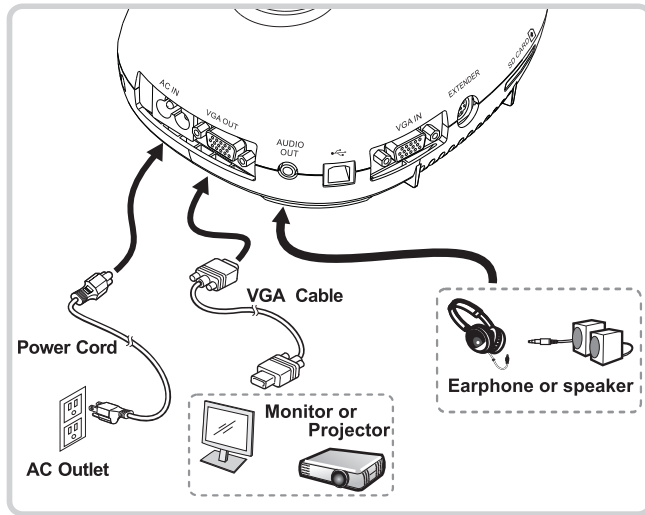


- ① Place an object to be displayed under the camera.
- ② Turn the power on.
- ③ Adjust the gooseneck and lens to appropriate position.
- ④ Press the [AUTO TUNE] button to optimize the image.
You are ready to teach / present.

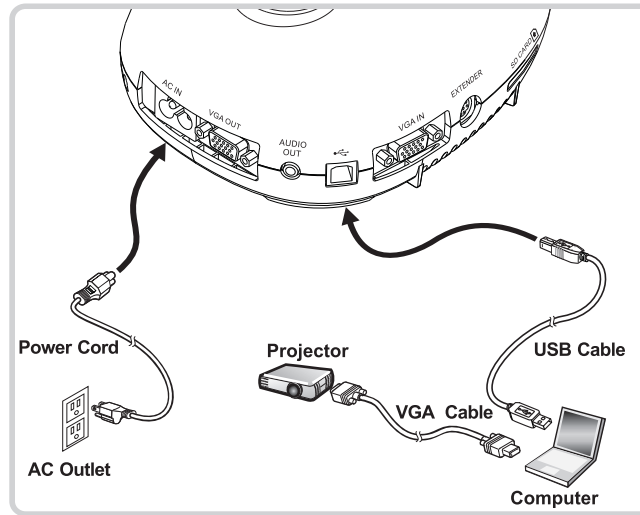
* Each time the camera head is moved, press the [FOCUS] button to refocus the lens.

2. Installation & Connection

▼ Connect to a Speaker, Projector or Monitor Simultaneously

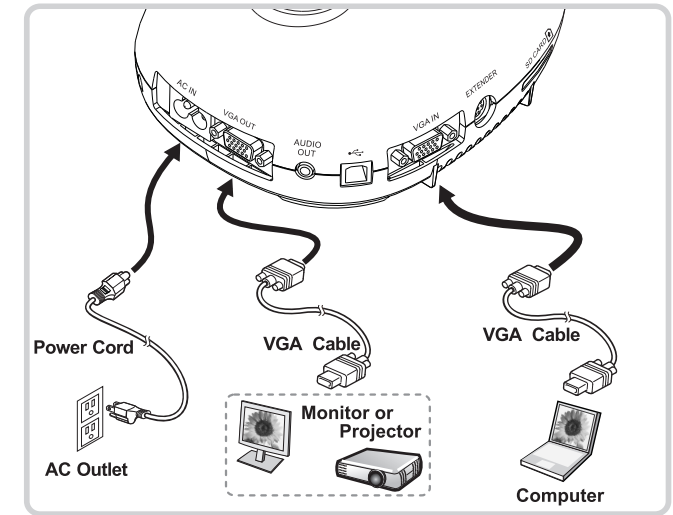


▼ Connect to a Computer and Use Lumens' Software



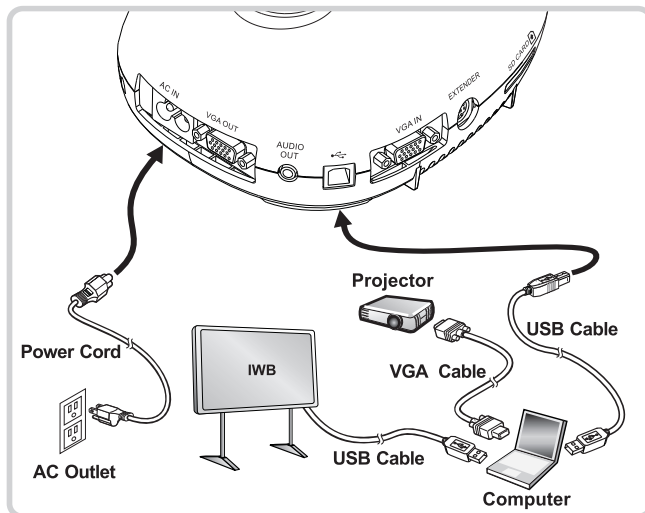
* Driver and software can be downloaded from Lumens website.

▼ Connect a Computer, Projector or Monitor Simultaneously

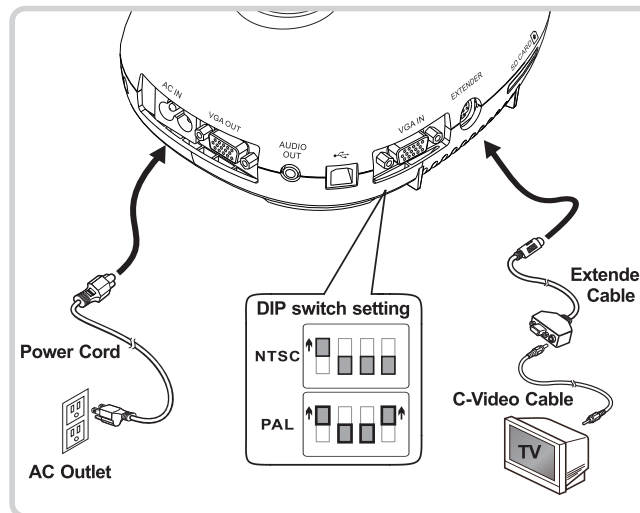


* Press [SOURCE] button to switch the image source.

▼ Connect to an Interactive Whiteboard (IWB)



▼ Connect to a TV



* NTSC: USA, CANADA, MEXICO, PANAMA, CHILE, JAPAN, TAIWAN, KOREA AND PHILIPPINES.

* PAL: Country / region not listed above.

* To make DIP switch set up effectiveness, please re-plug the power cord and reboot the machine. Once C-Video is on, VGA is not supported.

▼ Connect to a Computer with RS232

